

FibreGrid Self Closing Safety Gates



Product Description

Our Self Closing Safety Gates are a one-of-a-kind solution for accidental falls through guardrail openings. Easy to install and easy to operate, these Safety Gates are the most efficient and durable way to protect people from these hazardous areas.

The Safety Gates are made from a specially designed polyurethane, enabling them to withstand over 30 years of exposure to corrosive environments.

Their rigid construction has been tested to EN ISO 14122 European Standards, and can withstand 50kg in the Pendulum impact test.

Southern Office: Unit 2, Civic Industrial Estate, Homefield Road Central, Haverhill, Suffolk, CB9 8QP
Northern Office: Kingston House, 3 Walton Road, Pattinson North, Washington, Tyne & Wear, NE38 8QA

Online: www.fibregrid.com
Email: sales@fibregrid.com
Phone: 01440 712722
Fax: 01440 712733





Characteristics

- Strong enough to protect a person falling against the gate
- Always returns to the closed position after passing through
- Maintenance free
- Design does not depend on springs, cams, bearings or the operator.
- Easy installation - with the standard supplied hardware, the Safety Gate attaches to: Angle Iron, Flat Bar and Welded Plate
- Excellent alternative to steel - far more cost effective and long lasting than steel, and is not prone to rust

Size:	37" / 950mm (size of the opening, not the gate)
Service life:	>30 years
Colour:	Yellow



Material Strength & Weatherability

- Withstands 180 kg (400 lbs) impact test at ambient, as well as extreme cold temperatures (-56.7°C / -79 °F)
- Excellent outdoor weatherability; supports heavy loads 24/7
- In sunlight, material surface will discolour but not degrade
- No loss of tensile strength after 9 months in Arizona and Florida UV-exposure tests



Installation

When the Safety Gates are to be installed in a tight space, such as a corner or a narrow catwalk area, the installer must be aware of both the rise and the kick-out caused by the swing rotation of the self closing gate.

Maximum rise = 14" / 356mm

Fully open = 112°

Please allow as much room as possible so that the gate can swing fully open. However if space is tight, try to provide at least a 4" - 6" corner so that the gate can swing open as much as 75° - 90°.

REMEMBER -- YOU MUST MAKE SURE:

- Safety Gate is no more than 42" above the platform surface to avoid too large of an opening below the gate.
- Double bar gate is long enough to contact, and extend past, opposite side guardrail post by 1" or more.
- The block is provided to resist vertical deflection. The block should NOT make contact with the gate or interfere with it swinging closed.

Southern Office: Unit 2, Civic Industrial Estate, Homefield Road Central, Haverhill, Suffolk, CB9 8QP
Northern Office: Kingston House, 3 Walton Road, Pattinson North, Washington, Tyne & Wear, NE38 8QA

Online: www.fibregrid.com
Email: sales@fibregrid.com
Phone: 01440 712722
Fax: 01440 712733



001





Mount Hinge

Mount hinge as close as possible as possible to the top of the guardrail. Ideally the top bolt should be located 1" down from the top rail, but this may need to be adjusted depending on the guardrail design. Typical measurements are shown in the drawing below.

Position two 9/16" holes on 6 1/4" centres for two 1/2" carriage bolts (4" top and 5" bottom). Holes should be positioned to allow clearance for tightening 1/2" nuts.

Mount Block

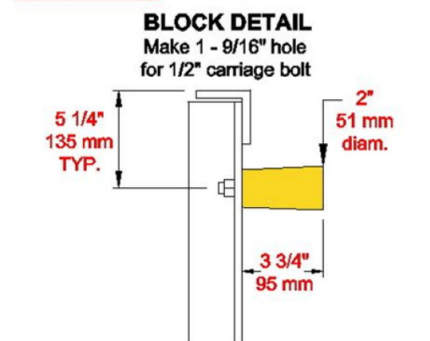
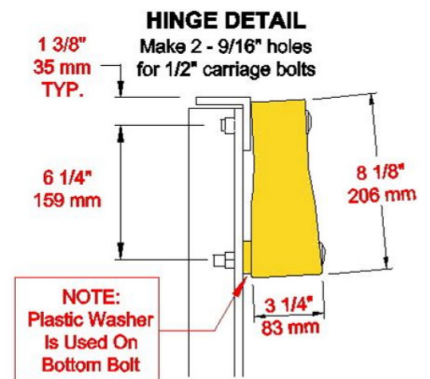
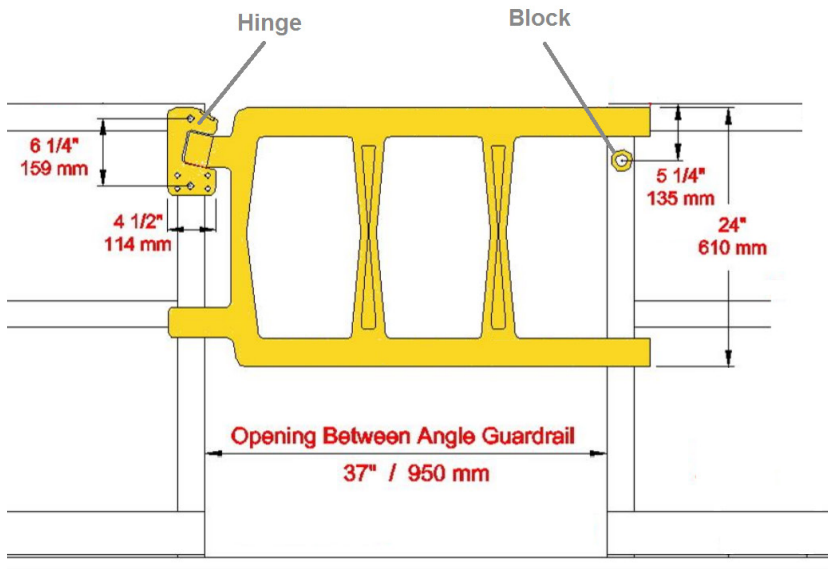
NOTE: BLOCK INSTALLATION NOT OPTIONAL

Mount the block so that it is positioned at least 1" BELOW the closed bar. Allow clearance for tightening the 1/2" nut.

Position one 9/16" hole for mounting the block with the 1/2" x 4" carriage bolt.

Block should not interfere with the opening or closing of the gate. It is intended to provide vertical support in an emergency. The block should be located at least 5" below where the top of the hinge is positioned.

TYPICAL INSTALLATION OF UDG-37 Universal Double Bar Safety Gate RIGHT HAND SWING INSTALLATION on Angle Iron Guardrail



Southern Office: Unit 2, Civic Industrial Estate, Homefield Road Central, Haverhill, Suffolk, CB9 8QP
Northern Office: Kingston House, 3 Walton Road, Pattinson North, Washington, Tyne & Wear, NE38 8QA

Online: www.fibregrid.com
Email: sales@fibregrid.com
Phone: 01440 712722
Fax: 01440 712733

